

# OCC Mini

— POWER SUPPLY - Outdoor Current ——— 10W —

**Waterproof 350mA  
power supply with wide  
operating range**



**3 YEARS**  
**20.000hrs**  
**IP66**

- Protections: Short circuit, over load, over current
- PF0.9 Efficiency is up to 75%
- IP66 mini power supply for constant current at 350mA
- Wide operating range from 1.1W to 11W

# OCC Mini POWER SUPPLY - Outdoor Current 10W



OCC Mini

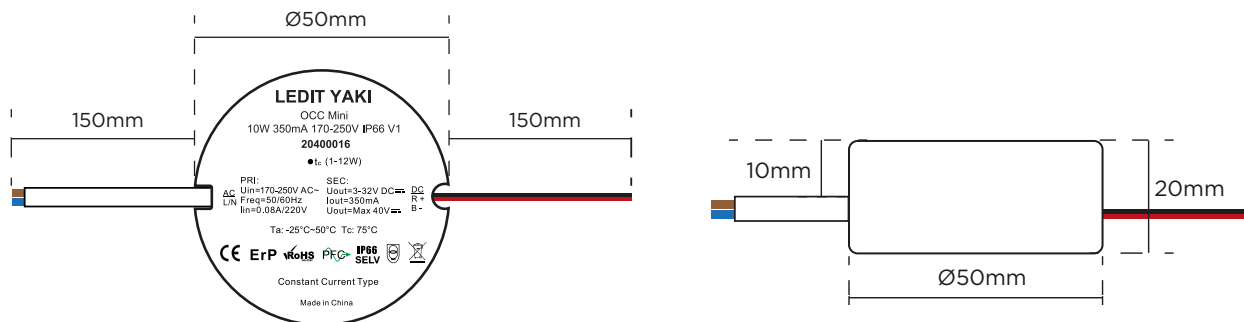
**3 YEARS**  
**20.000hrs**  
**IP66**



## TECHNICAL DATA

	Code	20400016
	Designation	OCC Mini 10W 350mA 170-250V IP66
Input	Efficiency	75%@230VAC,Full load
	Voltage	170VAC-250VAC
	Frequency	50-60Hz
	Power Factor	0.9 @230VAC,Full load
	Standby power	0.5W
	Current	0.08Amax@220VAC
	Leakage current	<3mA/240V
	Output	Direct voltage
Rated current		350mA
Rated Power		1,1W to 11W
Current Tolerance		±5%
Open circuit voltage		36VDC
Rippl and noise(max)		650mV<mVP-P
Channel		1 Channel
Protection	Short circuit protection	Connect wrong output positive negative pole, still can work normally
	Overload protection	When a predetermined current or voltage is exceeded, it enters a protected state
	Temperature protection	The chip itself has protection
Safety	High-voltage insulation test	I/P-O/P:1.5KVAC
	Insulation resistance	I/P-O/P:>100M Ohms/500VDC/25°C/70% RH
	Safety Standards	IEC/EN61347-1,IEC/EN61347-2-13

## DIMENSIONS



## INGRESS PROTECTION IP66

This product is designed to be used Indoors or Outdoors.

The specified environmental protection of the LED module enclosure means that:

It is totally protected against the ingress of dust, and protected against powerful water jets (100 liters per minute) projected by a nozzle against enclosure from any direction.

Make sure that the application (sign, box, etc.) where the LED modules are installed into, has proper drain holes for water to exit so that LED modules and any other electronic components are not submerged exceeding the IP66 certification limits.

## NORMS & CERTIFICATES

- ▶ EN 61347-1:2015+A1:2021
- ▶ EN 61347-2-13:2014+A1:2017
- ▶ EN IEC 55015:2019+A11:2020
- ▶ EN 61547:2009
- ▶ EN IEC 61000-3-2:2019
- ▶ EN 61000-3-3:2013+A1:2019



## THERMAL BEHAVIOUR

The temperature limits indicated below are expressed in °C, at full load, after 3h of operation conditions, with natural convection:

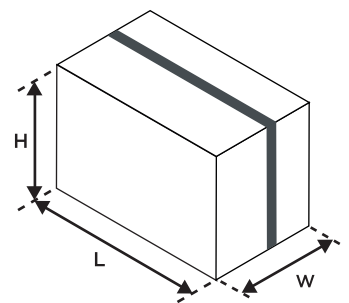
- ▶ Operation temperature Ta -25°C to +50°C
- ▶ Storage temperature Ts -40°C to +85°C
- ▶ Max. temperature Tc point +75°C

The life of the module will decrease when the maximum temperature limits are exceeded.

Operating for a continuous extended time at temperatures exceeding the maximum limits, the modules can fail and our warranty will be void.

## PACKAGING

Type	Size L x W x H (cm)	Size L x W x H (ft)	Weight (kg)	Weight (lb)	Units (pcs)
OCC Mini	40 x 30 x 28	1,3 x 1 x 0,9	15,4	33,9	200



(When the min and max values are not indicated, the tolerance range for optical and electrical data is ±15 %.)