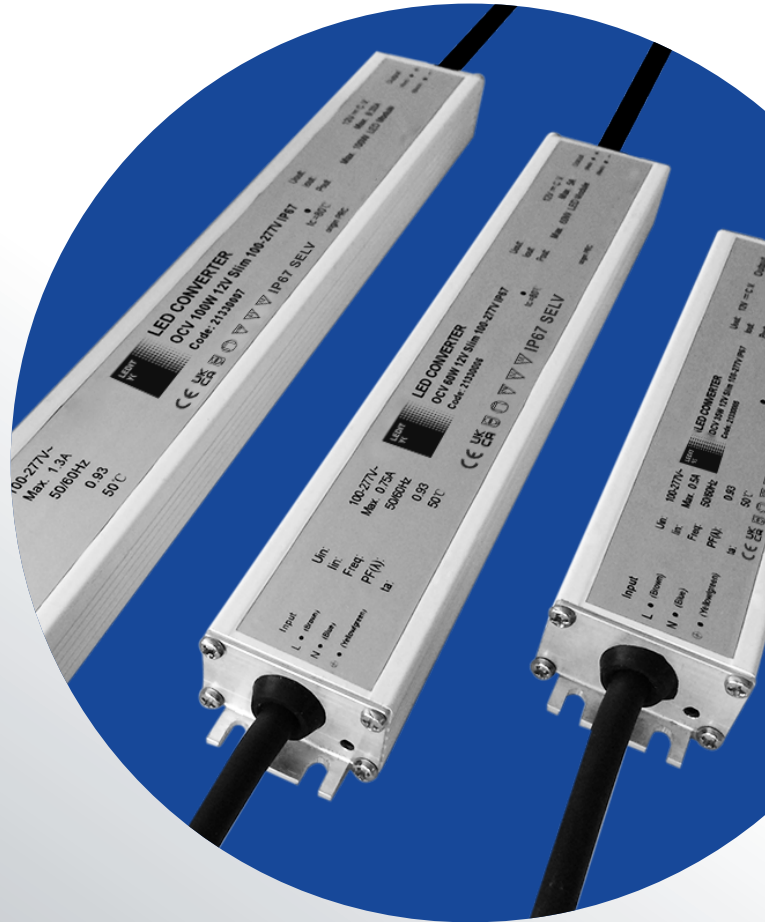


OCV Slim 12V

Outdoor Converter

15 - 180W

The perfect partner to
team up with any
12V solution



7 YEARS
50.000hrs
IP67

- Full power range from 15W to 180W
- SLIM profile (40x23mm) to fit in very thin applications
- IP67 for outdoor applications. Metal casing fully encapsulated
- Active Power Factor Correction: ≥ 0.95

OCV Slim 12V Outdoor Converter

15W



7 YEARS
50,000hrs
IP67



IP67



100-277 V/AC



-40°/+50°C

CE UK CA IP67 SELV

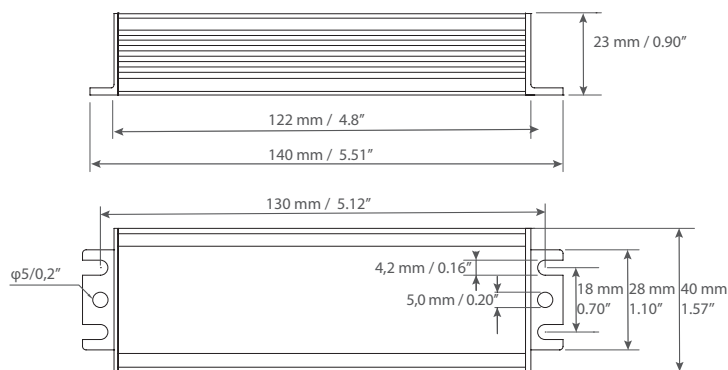
FEATURES & BENEFITS

- ▶ SELV
- ▶ Full load: 15W at 230V, and 10W at 100V
- ▶ Active Power Factor Correction over 0.88 at full load to allow power distribution at its maximum efficiency
- ▶ Efficiency over 79%
- ▶ Protection against short-circuit, over temperature, and overload
- ▶ Natural convection cooling
- ▶ Complies with Class C in the full range load according to EN 61000-3-2

TECHNICAL DATA

	21330021	OCV Slim 15W 12V 100-277V IP67
Input	Rated supply voltage	100-277VAC
	Input voltage	90-305VAC
	Frequency range	47-63Hz
	Power factor	PF ≥0.88 at 230VAC (at full load)
	Efficiency	≥79% at 230VAC (at full load)
	Rated current	≤0.10A at 230VAC 50Hz (at full load 15W) ≤0.18A at 100VAC 50Hz (at full load 10W)
	Inrush current	Peak 14A 90% peak 0,26µs
Leakage current	<0.5mA at 293.6VAC	
Output	Output voltage	12.2-12.8VDC
	Output current	0.21 to 1.25A at 180-277VAC 0.21 to 0.83A at 100-180VAC
	Output power range	2.5-15W at 180-277VAC 2.5-10W at 100-180VAC
	Output ripple voltage	1500 mVp-p (at full load)
	Start up time	2s at 100VAC / 1s at 277VAC
	Short-circuit protection	Yes - (see details in page 7)
	Over-heat protection	Yes - (see details in page 7)
	Over-load protection	Yes - (see details in page 7)
	Surge protection	4 KVAC, L-N, 4KVAC, L(N)-FG
	THD	<20%
Environment	Working Temperature	-40°C / +50°C (at full load)
	Storage Temperature	-40°C/+80°C, 10-95% RH

DIMENSIONS



LABEL

		LED CONVERTER	
Input L • (Brown) N • (Blue) ⊕ • (Yellow/green)	Uin: 100-277V~ Iin: Max. 0.18A Freq: 50/60Hz PF(A): 0.9 ta: 50°C Working temp: -40~+50°C /full load www.ledityaki.com	LEDIT YAKI OCV Slim 15W 12V 100-277V IP67 V3 Code:21330021 • tc=85°C Origin PRC	Uout: 12V ≈ C.V. Iout/Pout: Max. 1.25A/15W (180-277V~) (Red) • + Max. 0.83A/10W (100-180V~) (Black) • -
CE UK CA IP67 SELV			

1. All parameters NOT specially mentioned are measured at 220VAC input, rated load and 25°C ambient temperature.

2. The LED driver is considered as a component that will be operated in combination with final equipment, since EMC performance will be affected by the complete installation, the final equipment manufacturers must re-qualify EMC directive on the complete installation again.

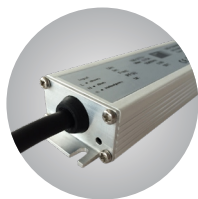


OCV Slim 12V Outdoor Converter

35W



7 YEARS
50,000hrs
IP67



IP67



100-277 V/AC



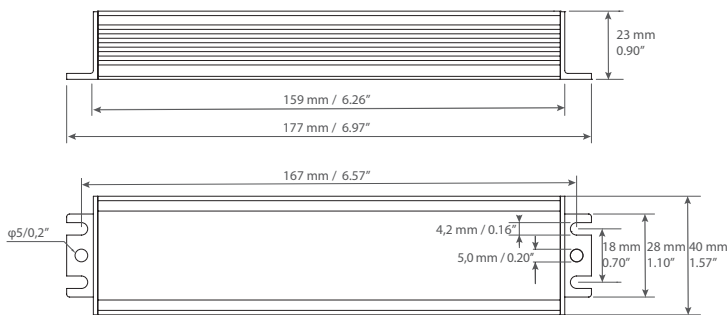
-40°/+50°C

CE UK CA IP67 SELV

FEATURES & BENEFITS

- ▶ SELV
- ▶ Full load: 35W at 230V, and 25W at 100V
- ▶ Active Power Factor Correction over 0.90 at full load to allow power distribution at its maximum efficiency
- ▶ Efficiency over 83%
- ▶ Protection against short-circuit, over temperature, and overload
- ▶ Natural convection cooling
- ▶ Complies with Class C in the full range load according to EN 61000-3-2

DIMENSIONS



TECHNICAL DATA

	21330005	OCV Slim 35W 12V 100-277V IP67
Input	Rated supply voltage	100-277VAC
	Input voltage	90-305VAC
	Frequency range	47-63Hz
	Power factor	PF ≥ 0.90 at 230VAC (at full load)
	Efficiency	$\geq 83\%$ at 230VAC (at full load)
	Rated current	$\leq 0.36A$ at 100VAC 50Hz (at full load 25W) $\leq 0.19A$ at 230VAC 50Hz (at full load 35W)
	Inrush current	Peak 33A 90% peak 0.275 μ s
Leakage current	<0.5mA at 293.6VAC	
Output	Output voltage	12.2-12.8VDC
	Output current	0.21 to 2.92A at 180-277VAC 0.21 to 2.08A at 100-180VAC
	Output power range	5-35W at 180-277VAC 5-25W at 100-180VAC
	Output ripple voltage	3800 mVp-p (at full load)
	Start up time	1s at 100VAC / 0.5s at 277VAC
	Short-circuit protection	Yes - (see details in page 7)
	Over-heat protection	Yes - (see details in page 7)
	Over-load protection	Yes - (see details in page 7)
Surge protection	6KVAC, L-N, 6KVAC, L(N)-FG	
THD	<20%	
Environment	Working Temperature	-40°C / +50°C (at full load)
	Storage Temperature	-40°C/+80°C, 10-95% RH

LABEL

Input	U _{in} : 100-277V~ I _{in} : Max. 0.36A Freq: 50/60Hz PF(λ): 0.9 t _a : 50°C Working temp: -40~+50°C /full load	LED CONVERTER OCV Slim 35W 12V 100-277V IP67 V3 Code: 21330005	U _{out} : 12V \approx C.V. I _{out} /P _{out} : Max. 2.92A/35W (180-277V~) Output Max. 2.08A/25W (100-180V~) (Red) ● + (Black) ● -
L ● (Brown) N ● (Blue) ◎ ● (Yellow/green)	IP67 SELV	tc=85°C Origin PRC	www.ledityaki.com

1. All parameters NOT specially mentioned are measured at 220VAC input, rated load and 25°C ambient temperature.

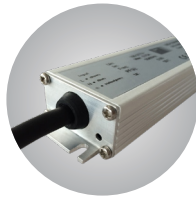
2. The LED driver is considered as a component that will be operated in combination with final equipment, since EMC performance will be affected by the complete installation, the final equipment manufacturers must re-qualify EMC directive on the complete installation again.

OCV Slim 12V Outdoor Converter

60W



7 YEARS
50,000hrs
IP67



IP67



100-277 V/AC



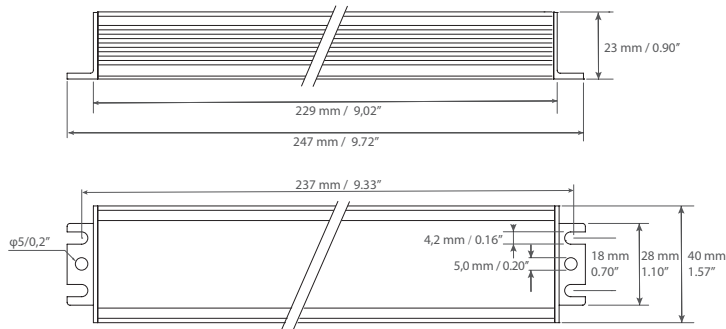
-40°/+50°C

CE UK CA IP67 SELV

FEATURES & BENEFITS

- ▶ SELV
- ▶ Full load: 60W at 230V, and 40W at 100V
- ▶ Active Power Factor Correction over 0.90 at full load to allow power distribution at its maximum efficiency
- ▶ Efficiency over 85.7%
- ▶ Protection against short-circuit, over temperature, and overload
- ▶ Natural convection cooling
- ▶ Complies with Class C in the full range load according to EN 61000-3-2

DIMENSIONS



TECHNICAL DATA

	21330006	OCV Slim 60W 12V 100-277V IP67
Input	Rated supply voltage	100-277VAC
	Input voltage	90-305VAC
	Frequency range	47-63Hz
	Power factor	PF ≥0.90 at 230VAC (at full load)
	Efficiency	≥85.7% at 230VAC (at full load)
	Rated current	≤0.33A at 230VAC 50Hz (at full load 60W) ≤0.54A at 100 VAC 50Hz (at full load 40W)
	Inrush current	Peak 65A 90% peak 0.458µs
	Leakage current	<0.5mA at 293.6VAC
Output	Output voltage	12.2-12.8VDC
	Output current	0.21 to 5A at 180-277VAC 0.21 to 3.33A at 100-180VAC
	Max Output power range	5-60W at 180-277VAC 5-40W at 100-180VAC
	Output ripple voltage	3000 mVp-p (at full load)
	Start up time	1s at 100 VAC / 0.5s at 277VAC
	Short-circuit protection	Yes - (see details in page 7)
	Over-heat protection	Yes - (see details in page 7)
	Over-load protection	Yes - (see details in page 7)
	Surge protection	6KVAC, L-N, 6KVAC, L(N)-FG
	THD	<20%
Environment	Working Temperature	-40°C / +50°C (at full load)
	Storage Temperature	-40°C/+80°C, 10-95% RH

LABEL

Input	Uin: 100-277V~ lin: Max. 0.54A Freq: 50/60Hz PF(λ): 0.9 ta: 50°C Working temp: -40~+50°C /full load	LED CONVERTER OCV Slim 60W 12V 100-277V IP67 V4 Code: 21330006	Uout: 12V = C.V. Iout/Pout: Max. 5.0A/60W (180-277V~) Max. 3.33A/40W (100-180V~)	Output (Red) ● + (Black) ● -
L ● (Brown) N ● (Blue) ⊕ ● (Yellow/green)		CE UK CA IP67 SELV tc=85°C Origin PRC	www.ledityaki.com	

1. All parameters NOT specially mentioned are measured at 220VAC input, rated load and 25°C ambient temperature.

2. The LED driver is considered as a component that will be operated in combination with final equipment, since EMC performance will be affected by the complete installation, the final equipment manufacturers must re-qualify EMC directive on the complete installation again.

OCV Slim 12V Outdoor Converter

100W



7 YEARS
50,000hrs
IP67



IP67



100-277 V/AC



-40°/+50°C

CE UK CA IP67 SELV

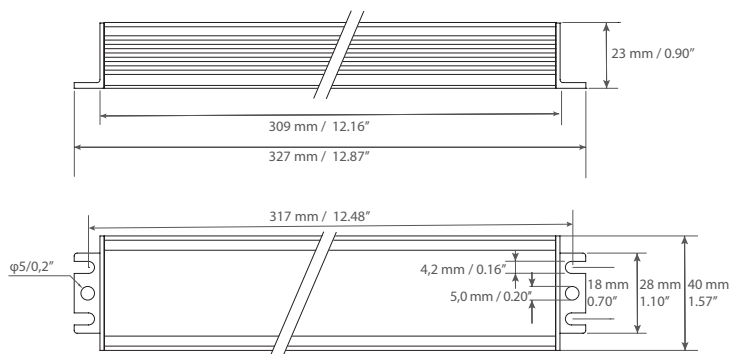
FEATURES & BENEFITS

- ▶ SELV
- ▶ Full load: 100W at 230V, and 80W at 100V
- ▶ Active Power Factor Correction over 0.95 at full load to allow power distribution at its maximum efficiency
- ▶ Efficiency over 87.7%
- ▶ Protection against short-circuit, over temperature, and overload
- ▶ Natural convection cooling
- ▶ Complies with Class C in the full range load according to EN 61000-3-2

TECHNICAL DATA

	21330007	OCV Slim 100W 12V 100-277V IP67
Input	Rated supply voltage	100-277VAC
	Input voltage	90-305VAC
	Frequency range	47-63Hz
	Power factor	PF ≥0.95 at 230VAC (at full load)
	Efficiency	≥87.7% at 230VAC (at full load)
	Rated current	≤0.54A at 230VAC 50Hz (at full load 100W) ≤1.02A at 100VAC 50Hz (at full load 80W)
	Inrush current	Peak 67A 90% peak 0.308µs
Leakage current	<0.5mA at 293.6VAC	
Output	Output voltage	12.2-12.8VDC
	Output current	0.1-8.33A at 180-277VAC 0.1-6.66A at 100-180VAC
	Max Output power range	5-100W at 180-277VAC 5-80W at 100-180VAC
	Output ripple voltage	50mVp-p (at full load)
	Start up time	1s at 100VAC / 0.5s at 277VAC
	Short-circuit protection	Yes - (see details in page 7)
	Over-heat protection	Yes - (see details in page 7)
	Over-load protection	Yes - (see details in page 7)
	Surge protection	6KVAC, L-N, 6KVAC, L(N)-FG
	THD	<20%
Environment	Working Temperature	-40°C / +50°C (at full load)
	Storage Temperature	-40°C/+80°C, 10-95% RH

DIMENSIONS



LABEL

Input	Uin: 100-277V~ Iin: Max. 1.02A Freq: 50/60Hz PF(A): 0.9 N (Blue) ta: 50°C Working temp: -40~+50°C /full load	LED CONVERTER OCV Slim 100W 12V 100-277V IP67 V3 Code: 21330007	Uout: 12V = C.V. Iout/Pout: Max. 8.33A/100W (180-277V~) Max. 6.66A/80W (100-180V~)	Output (Red) ● + (Black) ● -
IP67 SELV	tc=85°C Origin:PRC	www.ledityaki.com		

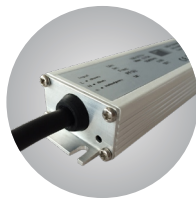
1. All parameters NOT specially mentioned are measured at 220VAC input, rated load and 25°C ambient temperature.
2. The LED driver is considered as a component that will be operated in combination with final equipment, since EMC performance will be affected by the complete installation, the final equipment manufacturers must re-qualify EMC directive on the complete installation again.

OCV Slim 12V Outdoor Converter

180W



5 YEARS
50,000hrs
IP67



IP67



100-277 V/AC



-40°/+50°C

CE UK CA IP67 SELV

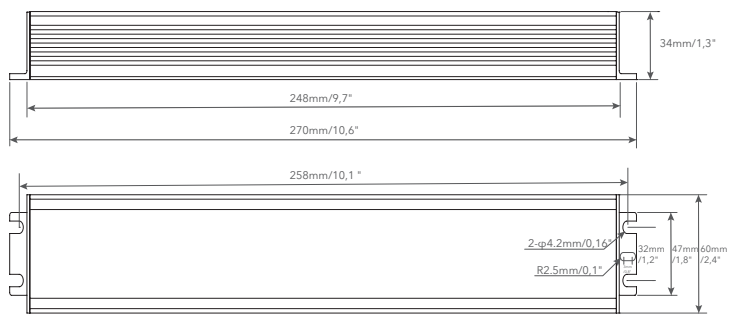
FEATURES & BENEFITS

- ▶ SELV
- ▶ Full load: 180W at 230V, and 150W at 100V
- ▶ Active Power Factor Correction over 0.95 at full load to allow power distribution at its maximum efficiency
- ▶ Efficiency over 89.2%
- ▶ Protection against short-circuit, over temperature, and overload
- ▶ Natural convection cooling
- ▶ Metal casing fully encapsulated
- ▶ Complies with Class C in the full range load according to EN 61000-3-2

TECHNICAL DATA

	21330024	OCV Slim 180W 12V 100-277V IP67
Input	Rated supply voltage	100-277VAC
	Input voltage	90-305VAC
	Frequency range	47-63Hz
	Power factor	PF ≥0.95 at 230VAC (at full load)
	Efficiency	≥89.2% at 230VAC (at full load)
	Rated current	≤1.9A at 100VAC 50Hz (loading 150W) ≤1.0A at 230VAC 50Hz (loading 180W)
	Inrush current	Peak 96A 90% peak 8.4µs
	Leakage current	<0.5mA at 293.6VAC
Output	Output voltage	12.2-12.8VDC
	Output current	0.2 -15A at 180-277VAC 0.1 - 12A at 100-180VAC
	Max Output power range	2.4-180W at 180-277VAC 2.4-144W at 100-180VAC
	Output ripple voltage	50mVp-p (at full load)
	Start up time	0-1s at 100VAC / 0-0.5s at 277VAC
	Short-circuit protection	Yes - (see details in page 7)
	Over-heat protection	Yes - (see details in page 7)
	Over-load protection	Yes - (see details in page 7)
Environment	Surge protection	6KVAC, L-N, 6KVAC, L(N)-FG
	THD	<20%
	Working Temperature	-40°C / +50°C (at full load)
Storage Temperature	-40°C/+80°C, 10-95% RH	

DIMENSIONS



LABEL

Input		LED CONVERTER		Output	
L • (Brown)	Uin: 100-277V~	OCV Slim 180W 12V 100-277V IP67 V3	• tc=90°C	Uout: 12V = C.V.	Output
N • (Blue)	Iin: Max. 1.9A	Code:21330024		Iout/Pout: Max. 15A/180W(180-277V~)	(Red) • +
⊕ • (Yellow/green)	Freq: 50/60Hz			Max. 12A/144W(100-180V~)	(Black) • -
Origin:PRC	PF(λ) 0.95			Working temp: -40~+50°C/full load	
	ta: 50°C				
	www.ledityaki.com				

CE UK CA IP67 SELV

1. All parameters NOT specially mentioned are measured at 220VAC input, rated load and 25°C ambient temperature.
 2. The LED driver is considered as a component that will be operated in combination with final equipment, since EMC performance will be affected by the complete installation, the final equipment manufacturers must re-qualify EMC directive on the complete installation again.

OCV Slim 12V Outdoor Converter

15 - 180W

PROTECTIONS

- ▶ Short-circuit protection: Driver will recover when short-circuit condition removed if not damaged.
- ▶ If driver is overloaded, the voltage will be reduced and light will decrease, and then it will flash. When not overloaded it will operate normally.
- ▶ Excessive Temperature Protection: Driver will switch off and will restart again when temperature does not exceed its limits.

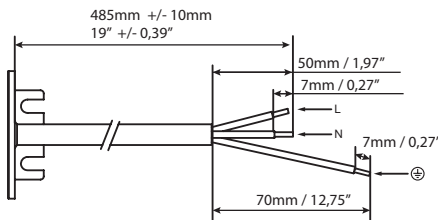
NORMS & CERTIFICATES

- ▶ EN 61347-1:2008+A1:2011+A2:2013
- ▶ EN 61347-2-13:2014
- ▶ EN 62493:2010
- ▶ EN 55015:2013
- ▶ EN 61547:2009
- ▶ EN 61000-3-2:2014
- ▶ EN 56000-3-3:2013



CABLE

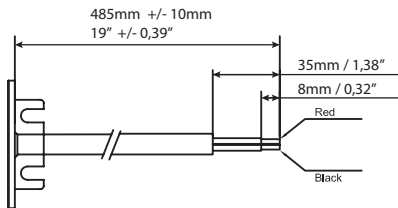
Input :



Cables type 15W :

- ▶ Input --> $\varnothing 7,4 \pm 0.2 \text{ mm} - 3 \times 1 \text{ mm}^2$
- ▶ Output --> $\varnothing 7 \pm 0.2 \text{ mm} - 2 \times 1 \text{ mm}^2$

Output :



Cables type 35W, 60W :

- ▶ Input --> $\varnothing 9 \pm 0.2 \text{ mm} - 3 \times 1.5 \text{ mm}^2$
- ▶ Output --> $\varnothing 8,6 \pm 0.2 \text{ mm} - 2 \times 1.5 \text{ mm}^2$

Cables type 100W, 180W:

- ▶ Input --> $\varnothing 9 \pm 0.2 \text{ mm} - 3 \times 1.5 \text{ mm}^2$
- ▶ Output --> $\varnothing 10.2 \pm 0.2 \text{ mm} - 2 \times 2.5 \text{ mm}^2$

LIFETIME & FAILURE RATE

Code	Type	Expected lifetime						MTBF
		Ta 40°C Tc 55°C	>170,000 hrs	Ta 50°C Tc 65°C	>80,000 hrs	Ta 60°C Tc 75°C	>40,000 hrs	
21330021	OCV Slim 15W	Ta 40°C Tc 55°C	>170,000 hrs	Ta 50°C Tc 65°C	>80,000 hrs	Ta 60°C Tc 75°C	>40,000 hrs	11,110,000 hrs
21330005	OCV Slim 35W	Ta 40°C Tc 60°C	>140,000 hrs	Ta 50°C Tc 70°C	>70,000 hrs	Ta 60°C Tc 80°C	>30,000 hrs	6,410,000 hrs
21330006	OCV Slim 60W	Ta 40°C Tc 65°C	>110,000 hrs	Ta 50°C Tc 75°C	>55,000 hrs	Ta 60°C Tc 85°C	>25,000 hrs	4,980,000 hrs
21330007	OCV Slim 100W	Ta 40°C Tc 65°C	>100,000 hrs	Ta 50°C Tc 75°C	>55,000 hrs	Ta 60°C Tc 85°C	>25,000 hrs	3,236,000 hrs
21330024	OCV Slim 180W	Ta 40°C Tc 80°C	>46,800hrs	Ta 50°C Tc 90°C	>23,400hrs	Ta 60°C Tc 100°C	>11,700hrs	2,134,000 hrs

OCV Slim 12V Outdoor Converter

15 - 180W

MCB LOAD

Type	C10	C16	C20	B10	B16	B20
Installation Ø	1,5mm ²	1,5mm ²	2,5mm ²	1,5mm ²	1,5mm ²	2,5mm ²
OCV Slim 15W	32	30	37	15	20	24
OCV Slim 35W	32	30	37	15	20	24
OCV Slim 60W	19	27	33	13	18	21
OCV Slim 100W	10	20	25	5	7	12
OCV Slim 180W	10	20	25	5	7	12

PACKAGING

	Type	SIZE - LxWxH (cm)	SIZE - LxWxH (ft)	Weight (Kg)	Weight (lb)	Nb of Pcs / box
CARTON	OCV Slim 15W	43,5x18,3x17,5	1,4x0,6x0,57	9,83	21,7	30
PALLET	OCV Slim 15W	128,1x87x102,5	4,2x2,9x3,4	707,8	1559	2100
CARTON	OCV Slim 35W	43,5x24,1x17,5	1,4x0,8x0,57	13,4	29,5	30
PALLET	OCV Slim 35W	120,5x87x102,5	3,9x2,9x3,4	687,75	1516	1500
CARTON	OCV Slim 60W	43,5x29,1x17,5	1,4x0,95x0,57	16,6	35,3	30
PALLET	OCV Slim 60W	120x87x102,5	4,7x2,9x3,4	684	1508	1200
CARTON	OCV Slim 100W	37,1x22,5x17,5	1,2x0,7x0,57	10,9	24	15
PALLET	OCV Slim 100W	127,1x82,1x102,5	4,2x2,7x3,4	672,2	1482	900
CARTON	OCV Slim 180W	33x28,5x22,5	1,1x0,9x0,7	12,5	27,6	15
PALLET	OCV Slim 180W	127,5x85,5x105	4,2x2,8x3,5	570	1257	600

