

Larvik[®] Slim

FLOOD LIGHTING

10 - 280W

Wide range of luminaires truly built for outdoors. Smart optics minimize the number needed.



5 YEARS
50.000hrs
L50

- Meet your needs from 1.000 to 31.000 lm
- Different optics and colors available
- Ultra light-weight and compact IP67
- Specially treated for rough outdoor conditions



Larvik[®] Slim FLOOD LIGHTING

10 W



3 YEARS
50,000hrs
L50



IP67



IK07



85-265 V/AC

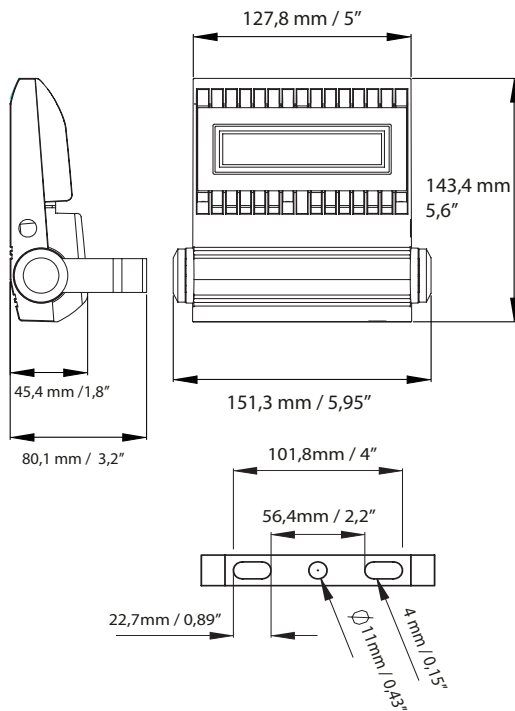


-35°/+45°C

TECHNICAL DATA

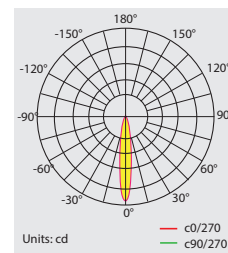
Code	Designation	Color Temperature / Wavelength	LED power (W)	System power (W)	Lumen output (lm)	Efficiency (lm/W)	CRI	Beam Angle (°)	Net Weight (Kg/ lb)
21120001	LARVIK SLIM 10W 12x12 deg 5000K IP67 (AC 85-265V)	○ NW 5000K	10	12	1260	105	>70	12x12	0,83 / 1,8
21120021	LARVIK SLIM 10W 30x30 deg 5000K IP67 (AC 85-265V)	○ NW 5000K	10	12	1260	105	>70	30x30	0,83 / 1,8
21120002	LARVIK SLIM 10W 60x60 deg 5000K IP67 (AC 85-265V)	○ NW 5000K	10	12	1260	105	>70	60x60	0,83 / 1,8
21120067	LARVIK SLIM 10W 85x135 deg 5000K IP67 (AC 85-265V)	○ NW 5000K	10	12	1260	105	>70	85x135	0,83 / 1,8
21120125	LARVIK SLIM 10W BB lens 5000K IP67 (AC 85-265V)	○ NW 5000K	10	12	1140	95	>70	BB Lens	0,83 / 1,8
21120019	LARVIK SLIM 10W 12x12 deg 3000K IP67 (AC 85-265V)	○ WW 3000K	10	12	1140	95	>70	12x12	0,83 / 1,8
21120022	LARVIK SLIM 10W 30x30 deg 3000K IP67 (AC 85-265V)	○ WW 3000K	10	12	1140	95	>70	30x30	0,83 / 1,8
21120023	LARVIK SLIM 10W 60x60 deg 3000K IP67 (AC 85-265V)	○ WW 3000K	10	12	1140	95	>70	60x60	0,83 / 1,8
21120068	LARVIK SLIM 10W 85x135 deg 3000K IP67 (AC 85-265V)	○ WW 3000K	10	12	1140	95	>70	85x135	0,83 / 1,8

DIMENSIONS

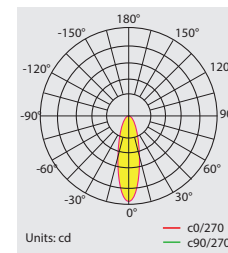


LIGHT DISTRIBUTION

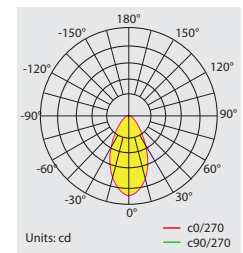
LARVIK SLIM 10W 12x12°



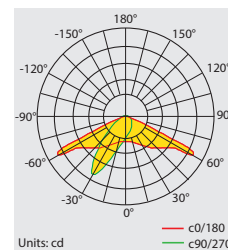
LARVIK SLIM 10W 30x30°



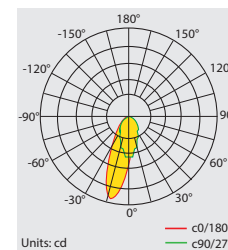
LARVIK SLIM 10W 60x60°



LARVIK SLIM 10W 85x135°



LARVIK SLIM 10W BB LENS°



Larvik® Slim FLOOD LIGHTING

30 W



3 YEARS
50,000hrs
L50



IP67



IK07



85-265 V/AC

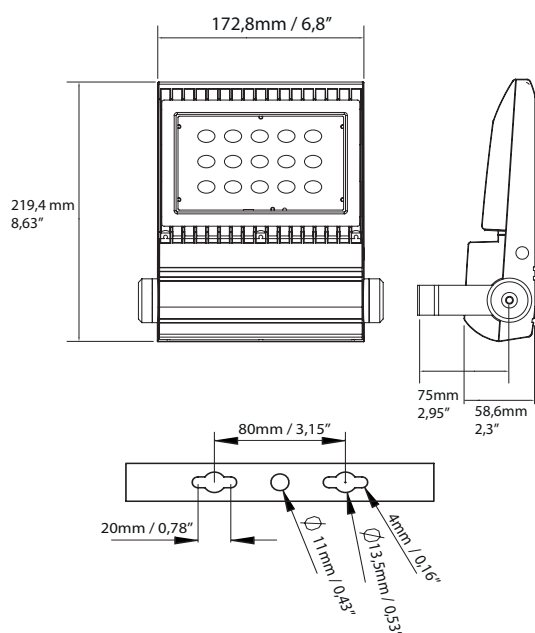


-35°/+45°C

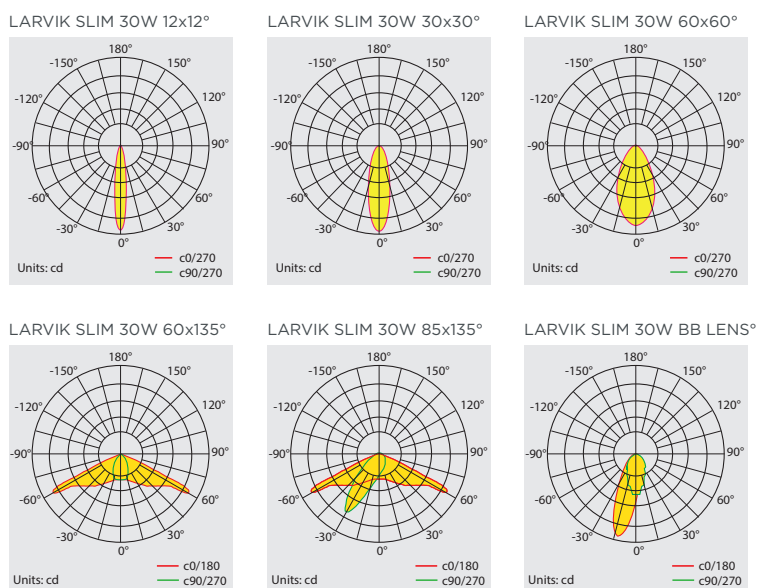
TECHNICAL DATA

Code	Designation	Color Temperature / Wavelength	LED power (W)	System power (W)	Lumen output (lm)	Efficiency (lm/W)	CRI	Beam Angle (°)	Net Weight (Kg/ lb)
21120003	LARVIK SLIM 30W 12x12 deg 5000K IP67 (AC 85-265V)	NW 5000K	30	35	3675	105	>70	12x12	1,7 / 3,7
21120024	LARVIK SLIM 30W 30x30 deg 5000K IP67 (AC 85-265V)	NW 5000K	30	31,5	3675	117	>70	30x30	1,7 / 3,7
21120004	LARVIK SLIM 30W 60x60 deg 5000K IP67 (AC 85-265V)	NW 5000K	30	31,5	3675	117	>70	60x60	1,7 / 3,7
21120025	LARVIK SLIM 30W 60x135 deg 5000K IP67 (AC 85-265V)	NW 5000K	30	35	3675	105	>70	60x135	1,7 / 3,7
21120005	LARVIK SLIM 30W 85x135 deg 5000K IP67 (AC 85-265V)	NW 5000K	30	31,5	3675	117	>70	85x135	1,7 / 3,7
21120126	LARVIK SLIM 30W BB lens 5000K IP67 (AC 85-265V)	NW 5000K	30	35	3325	95	>70	BB lens	1,7 / 3,7
21120026	LARVIK SLIM 30W 12x12 deg 3000K IP67 (AC 85-265V)	WW 3000K	30	35	3325	95	>70	12x12	1,7 / 3,7
21120027	LARVIK SLIM 30W 30x30 deg 3000K IP67 (AC 85-265V)	WW 3000K	30	31,5	2940	93	>70	30x30	1,7 / 3,7
21120028	LARVIK SLIM 30W 60x60 deg 3000K IP67 (AC 85-265V)	WW 3000K	30	31,5	2940	93	>70	60x60	1,7 / 3,7
21120029	LARVIK SLIM 30W 60x135 deg 3000K IP67 (AC 85-265V)	WW 3000K	30	35	3325	95	>70	60x135	1,7 / 3,7
21120030	LARVIK SLIM 30W 85x135 deg 3000K IP67 (AC 85-265V)	WW 3000K	30	31,5	2940	93	>70	85x135	1,7 / 3,7
21120184	LARVIK SLIM 30W 85x135deg 2200K IP67 (AC 85-265V)	GW 2200K	30	35	3675	105	>80	85x135	1,7 / 3,7

DIMENSIONS



LIGHT DISTRIBUTION



Larvik® Slim FLOOD LIGHTING

50 W



5 YEARS
50.000hrs
L50



IP67



IK07



90-295 V/AC

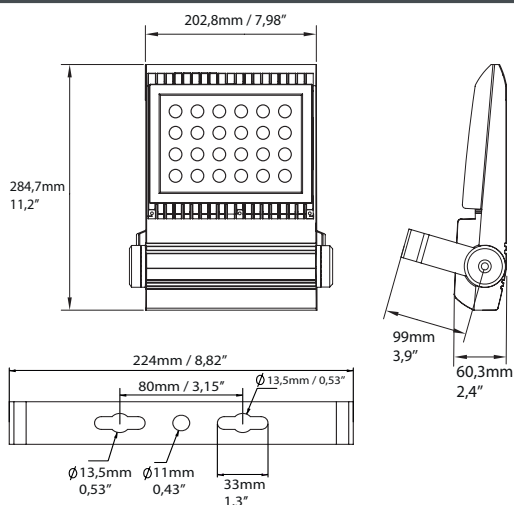


-35°/+45°C

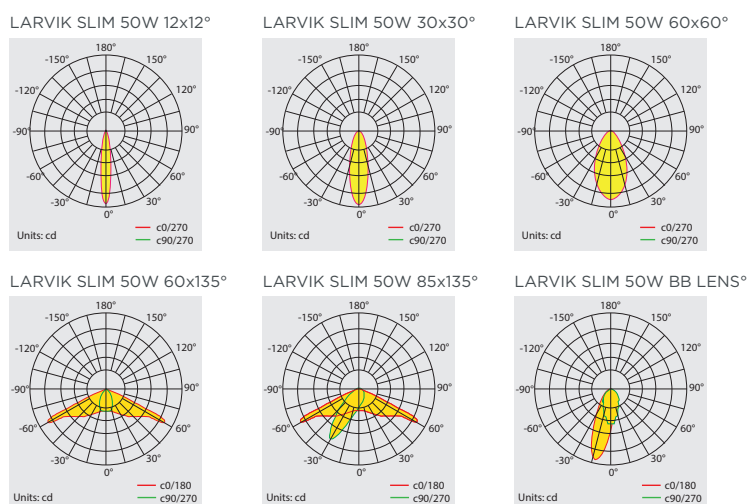
TECHNICAL DATA

Code	Designation	Color Temperature / Wavelength	LED power (W)	System power (W)	Lumen output (lm)	Efficiency (lm/W)	CRI	Beam Angle (°)	Net Weight (Kg/ lb)
21120006	LARVIK SLIM 50W 12x12 deg 5000K IP67 (AC 90-295V)	○ NW 5000K	50	55	5775	105	>70	12x12	3,3 / 7,3
21120031	LARVIK SLIM 50W 30x30 deg 5000K IP67 (AC 90-295V)	○ NW 5000K	45	50	5500	110	>70	30x30	3,3 / 7,3
21120007	LARVIK SLIM 50W 60x60 deg 5000K IP67 (AC 90-295V)	○ NW 5000K	45	50	5500	110	>70	60x60	3,3 / 7,3
21120032	LARVIK SLIM 50W 60x135 deg 5000K IP67 (AC 90-295V)	○ NW 5000K	50	55	5775	105	>70	60x135	3,3 / 7,3
21120008	LARVIK SLIM 50W 85x135 deg 5000K IP67 (AC 90-295V)	○ NW 5000K	45	50	5500	105	>70	85x135	3,3 / 7,3
21120145	LARVIK SLIM 50W 30x90 deg 5000K IP67 (AC 90-295V)	○ NW 5000K	50	55	5775	105	>70	30x90	3,3 / 7,3
21120127	LARVIK SLIM 50W BB lens 5000K IP67 (AC 85-265V)	○ NW 5000K	50	55	5225	95	>70	BB Lens	3,3 / 7,3
21120033	LARVIK SLIM 50W 12x12 deg 3000K IP67 (AC 90-295V)	○ WW 3000K	50	55	5225	95	>70	12x12	3,3 / 7,3
21120034	LARVIK SLIM 50W 30x30 deg 3000K IP67 (AC 90-295V)	○ WW 3000K	45	50	5060	101	>70	30x30	3,3 / 7,3
21120035	LARVIK SLIM 50W 60x60 deg 3000K IP67 (AC 90-295V)	○ WW 3000K	45	50	5060	101	>70	60x60	3,3 / 7,3
21120036	LARVIK SLIM 50W 60x135 deg 3000K IP67 (AC 90-295V)	○ WW 3000K	50	55	5225	95	>70	60x135	3,3 / 7,3
21120037	LARVIK SLIM 50W 85x135 deg 3000K IP67 (AC 90-295V)	○ WW 3000K	45	50	5060	101	>70	85x135	3,3 / 7,3
21120241	LARVIK SLIM 50W 30x90 deg 3000K IP67 (AC 90-295V)	○ WW 3000K	50	55	5225	95	>70	30x90	3,3 / 7,3
21120243	LARVIK SLIM 50W 30x90 deg 2800K IP67 (AC 90-295V)	○ WW 2800K	50	55	5000	90	>80	30x90	3,3 / 7,3
21120244	LARVIK SLIM 50W 85x135 deg 2800K IP67 (AC 90-295V)	○ WW 2800K	50	50	5000	101	>80	85x135	3,3 / 7,3

DIMENSIONS



LIGHT DISTRIBUTION



Larvik® Slim FLOOD LIGHTING

80 W



5 YEARS
50,000hrs
L50



IP67



IK07



90-295 V/AC

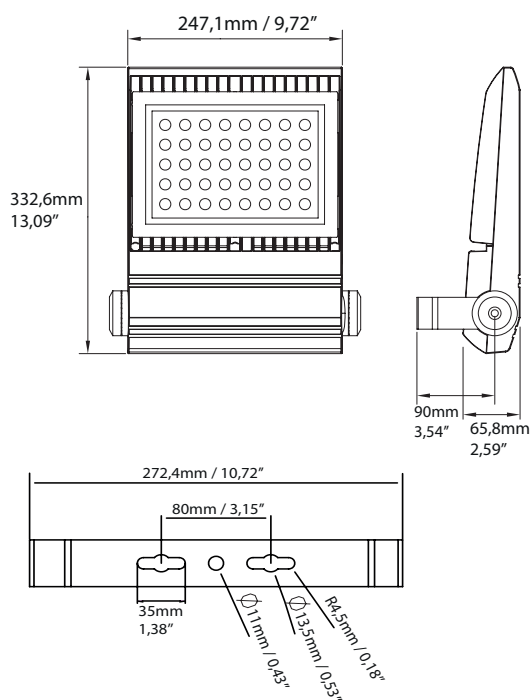


-35°/+45°C

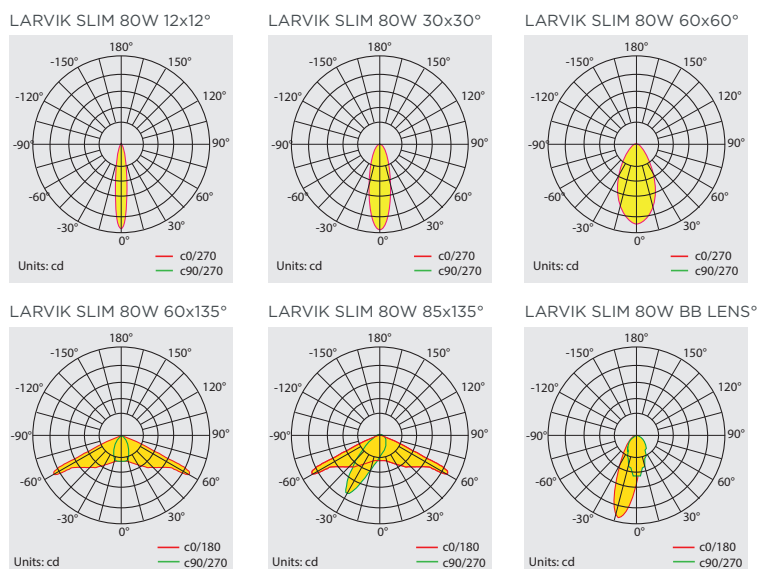
TECHNICAL DATA

Code	Designation	Color Temp	LED power (W)	System power (W)	Lumen output (lm)	Efficiency (lm/W)	CRI	Beam Angle (°)	Net Weight (Kg/ lb)
21120009	LARVIK SLIM 80W 12x12 deg 5000K IP67 (AC 90-295V)	NW 5000K	80	88	9240	105	>70	12x12	4,6 / 10
21120038	LARVIK SLIM 80W 30x30 deg 5000K IP67 (AC 90-295V)	NW 5000K	69	76	8740	105	>70	30x30	4,6 / 10
21120010	LARVIK SLIM 80W 60x60 deg 5000K IP67 (AC 90-295V)	NW 5000K	69	76	8740	115	>70	60x60	4,6 / 10
21120039	LARVIK SLIM 80W 60x135 deg 5000K IP67 (AC 90-295V)	NW 5000K	80	88	9240	105	>70	60x135	4,6 / 10
21120011	LARVIK SLIM 80W 85x135 deg 5000K IP67 (AC 90-295V)	NW 5000K	69	76	8740	115	>70	85x135	4,6 / 10
21120128	LARVIK SLIM 80W BB lens 5000K IP67 (AC 90-295V)	NW 5000K	71	80	7600	95	>70	BB lens	4,6 / 10
21120020	LARVIK SLIM 80W 12x12 deg 3000K IP67 (AC 90-295V)	WW 3000K	80	88	8360	95	>70	12x12	4,6 / 10
21120040	LARVIK SLIM 80W 30x30 deg 3000K IP67 (AC 90-295V)	WW 3000K	69	76	8040	105	>70	30x30	4,6 / 10
21120041	LARVIK SLIM 80W 60x60 deg 3000K IP67 (AC 90-295V)	WW 3000K	69	76	8040	105	>70	60x60	4,6 / 10
21120042	LARVIK SLIM 80W 60x135 deg 3000K IP67 (AC 90-295V)	WW 3000K	80	88	8360	95	>70	60x135	4,6 / 10
21120043	LARVIK SLIM 80W 85x135 deg 3000K IP67 (AC 90-295V)	WW 3000K	69	76	8040	105	>70	85x135	4,6 / 10

DIMENSIONS



LIGHT DISTRIBUTION



Larvik® Slim FLOOD LIGHTING

100 W



5 YEARS
50,000hrs
L50



IP67



IK07



90-295 V/AC

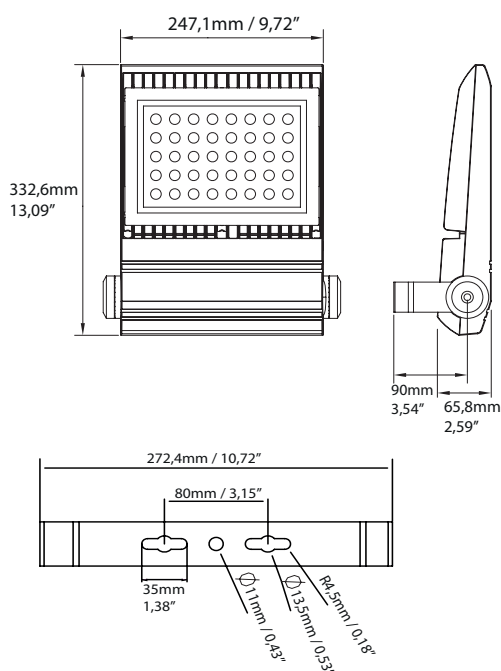


-35°/+45°C

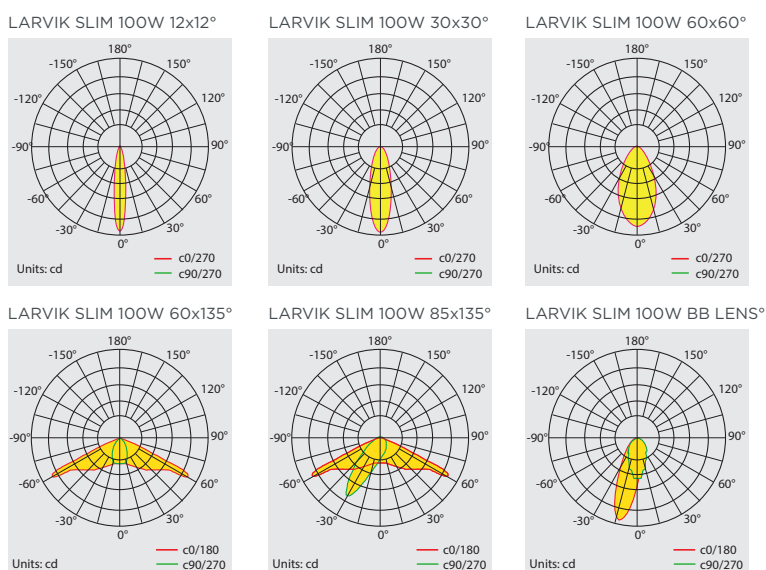
TECHNICAL DATA

Code	Designation	Color Temperature / Wavelength	LED power (W)	System power (W)	Lumen output (lm)	Efficiency (lm/W)	CRI	Beam Angle (°)	Net Weight (Kg/ lb)
21120012	LARVIK SLIM 100W 12x12 deg 5000K IP67 (AC 90-295V)	NW 5000K	100	113	11865	105	>70	12x12	4,6 / 10
21120044	LARVIK SLIM 100W 30x30 deg 5000K IP67 (AC 90-295V)	NW 5000K	93	100	11500	115	>70	30x30	4,6 / 10
21120013	LARVIK SLIM 100W 60x60 deg 5000K IP67 (AC 90-295V)	NW 5000K	93	100	11500	115	>70	60x60	4,6 / 10
21120045	LARVIK SLIM 100W 60x135 deg 5000K IP67 (AC 90-295V)	NW 5000K	100	113	11865	105	>70	60x135	4,6 / 10
21120014	LARVIK SLIM 100W 85x135 deg 5000K IP67 (AC 90-295V)	NW 5000K	93	100	11500	115	>70	85x135	4,6 / 10
21120122	LARVIK SLIM 100W BB lens 5000K IP67 (AC 90-295V)	NW 5000K	100	113	10735	95	>70	BB lens	4,6 / 10
21120046	LARVIK SLIM 100W 12x12 deg 3000K IP67 (AC 90-295V)	WW 3000K	100	113	10735	95	>70	12x12	4,6 / 10
21120047	LARVIK SLIM 100W 30x30 deg 3000K IP67 (AC 90-295V)	WW 3000K	93	100	10580	105	>70	30x30	4,6 / 10
21120048	LARVIK SLIM 100W 60x60 deg 3000K IP67 (AC 90-295V)	WW 3000K	93	100	10580	105	>70	60x60	4,6 / 10
21120049	LARVIK SLIM 100W 60x135 deg 3000K IP67 (AC 90-295V)	WW 3000K	100	113	10735	95	>70	60x135	4,6 / 10
21120050	LARVIK SLIM 100W 85x135 deg 3000K IP67 (AC 90-295V)	WW 3000K	93	100	10580	105	>70	85x135	4,6 / 10

DIMENSIONS



LIGHT DISTRIBUTION



Larvik® Slim FLOOD LIGHTING

140 W



5 YEARS
50,000hrs
L50



IP67



IK07



90-305 V/AC

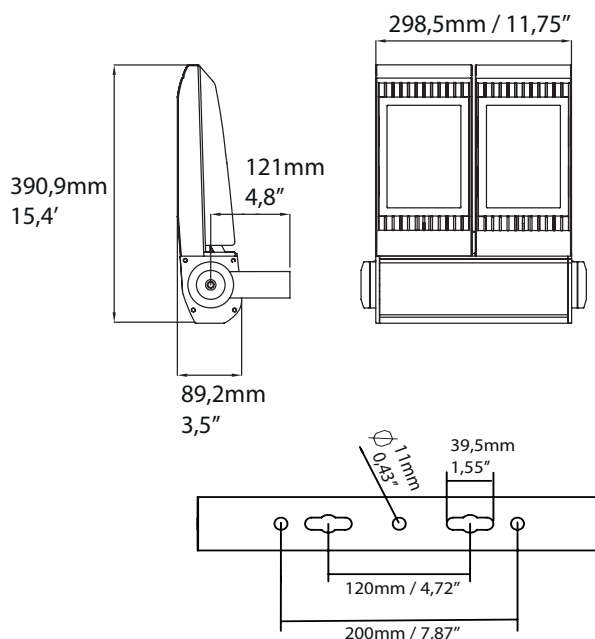


-35°/+45°C

TECHNICAL DATA

Code	Designation	Color Temperature / Wavelength	LED power (W)	System power (W)	Lumen output (lm)	Efficiency (lm/W)	CRI	Beam Angle (°)	Net Weight (Kg/ lb)
21120015	LARVIK SLIM 140W 12x12 deg 5000K IP67 (AC 90-305V)	○ NW 5000K	140	153	16065	105	>70	12x12	8/17,6
21120051	LARVIK SLIM 140W 30x30 deg 5000K IP67 (AC 90-305V)	○ NW 5000K	140	150	16500	110	>70	30x30	8/17,6
21120016	LARVIK SLIM 140W 60x60 deg 5000K IP67 (AC 90-305V)	○ NW 5000K	140	150	16500	110	>70	60x60	8/17,6
21120052	LARVIK SLIM 140W 60x135 deg 5000K IP67 (AC 90-305V)	○ NW 5000K	140	153	16065	105	>70	60x135	8/17,6
21120017	LARVIK SLIM 140W 85x135 deg 5000K IP67 (AC 90-305V)	○ NW 5000K	140	150	16500	110	>70	85x135	8/17,6
21120129	LARVIK SLIM 140W BB lens 5000K IP67 (AC 90-305V)	○ NW 5000K	140	153	14535	105	>70	BB lens	8/17,6
21120221	LARVIK SLIM 140W 10x10 deg 5000K IP67 (AC 90-305V)	○ NW 5000K	140	150	16500	110	>70	10x10	8/17,6
21120053	LARVIK SLIM 140W 12x12 deg 3000K IP67 (AC 90-305V)	○ WW 3000K	140	153	14535	95	>70	12x12	8/17,6
21120054	LARVIK SLIM 140W 30x30 deg 3000K IP67 (AC 90-305V)	○ WW 3000K	140	150	15180	101	>70	30x30	8/17,6
21120055	LARVIK SLIM 140W 60x60 deg 3000K IP67 (AC 90-305V)	○ WW 3000K	140	150	15180	101	>70	60x60	8/17,6
21120056	LARVIK SLIM 140W 60x135 deg 3000K IP67 (AC 90-305V)	○ WW 3000K	140	153	14535	95	>70	60x135	8/17,6
21120057	LARVIK SLIM 140W 85x135 deg 3000K IP67 (AC 90-305V)	○ WW 3000K	140	150	15180	101	>70	85x135	8/17,6
21120222	LARVIK SLIM 140W 10x10 deg 3000K IP67 (AC 90-305V)	○ WW 3000K	140	150	15180	101	>70	10x10	8/17,6

DIMENSIONS



LIGHT DISTRIBUTION





5 YEARS
50,000hrs
L50



IP67



IK07



90-305 V/AC

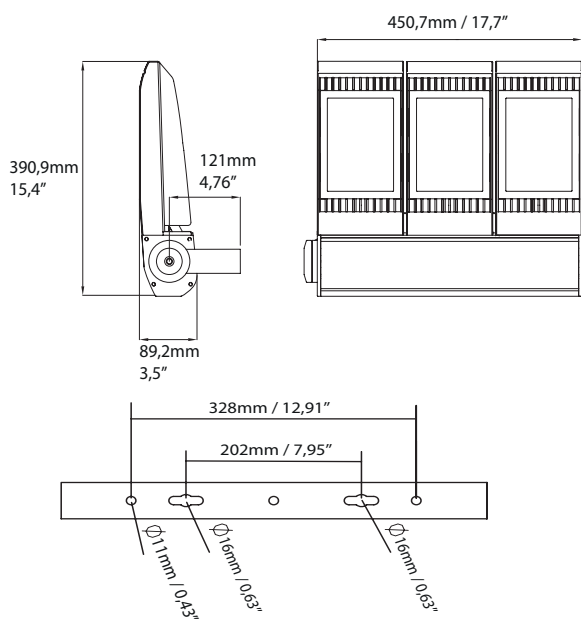


-35°/+45°C

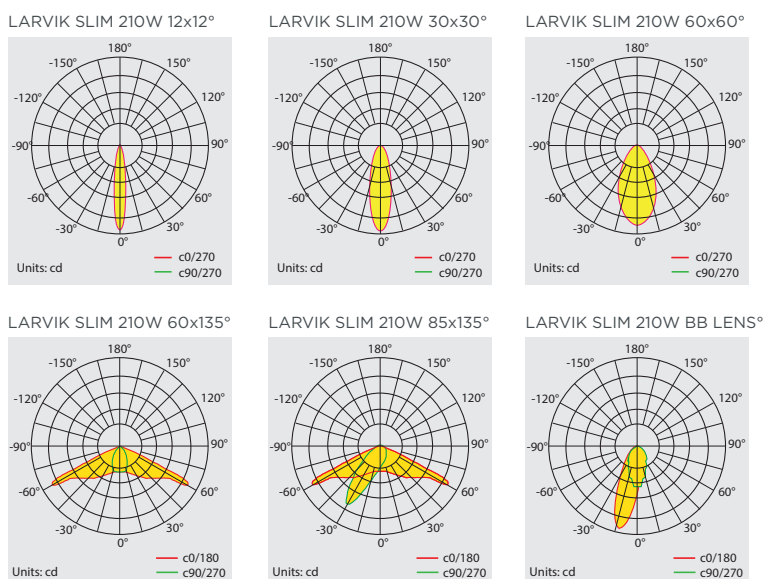
TECHNICAL DATA

Code	Designation	Color Temperature / Wavelength	LED power (W)	System power (W)	Lumen output (lm)	Efficiency (lm/W)	CRI	Beam Angle (°)	Net Weight (Kg / lb)
21120058	LARVIK SLIM 210W 12x12 deg 5000K IP67 (AC 90-305V)	○ NW 5000K	210	230	24150	105	>70	12x12	12,7 / 28
21120059	LARVIK SLIM 210W 30x30 deg 5000K IP67 (AC 90-305V)	○ NW 5000K	195	220	24200	110	>70	30x30	12,7 / 28
21120060	LARVIK SLIM 210W 60x60 deg 5000K IP67 (AC 90-305V)	○ NW 5000K	195	220	24200	110	>70	60x60	12,7 / 28
21120061	LARVIK SLIM 210W 60x135 deg 5000K IP67 (AC 90-305V)	○ NW 5000K	210	230	24150	105	>70	60x135	12,7 / 28
21120018	LARVIK SLIM 210W 85x135 deg 5000K IP67 (AC 90-305V)	○ NW 5000K	195	220	24200	110	>70	85x135	12,7 / 28
21120130	LARVIK SLIM 210W BB lens 5000K IP67 (AC 90-305V)	○ NW 5000K	210	230	21850	95	>70	BB Lens	12,7 / 28
21120223	LARVIK SLIM 210W 10x10 deg 5000K IP67 (AC 90-305V)	○ NW 5000K	210	220	24200	110	>70	10x10	12,7 / 28
21120062	LARVIK SLIM 210W 12x12 deg 3000K IP67 (AC 90-305V)	○ WW 3000K	210	230	21850	95	>70	12x12	12,7 / 28
21120063	LARVIK SLIM 210W 30x30 deg 3000K IP67 (AC 90-305V)	○ WW 3000K	195	220	22264	101	>70	30x30	12,7 / 28
21120064	LARVIK SLIM 210W 60x60 deg 3000K IP67 (AC 90-305V)	○ WW 3000K	195	220	22264	101	>70	60x60	12,7 / 28
21120065	LARVIK SLIM 210W 60x135 deg 3000K IP67 (AC 90-305V)	○ WW 3000K	210	230	21850	95	>70	60x135	12,7 / 28
21120066	LARVIK SLIM 210W 85x135 deg 3000K IP67 (AC 90-305V)	○ WW 3000K	195	220	22264	101	>70	85x135	12,7 / 28
21120224	LARVIK SLIM 210W 10x10 deg 3000K IP67 (AC 90-305V)	○ WW 3000K	210	220	22264	101	>70	10x10	12,7 / 28

DIMENSIONS



LIGHT DISTRIBUTION



Larvik® Slim FLOOD LIGHTING

280 W



5 YEARS
50,000hrs
L50



IP67



IK07



90-305 V/AC

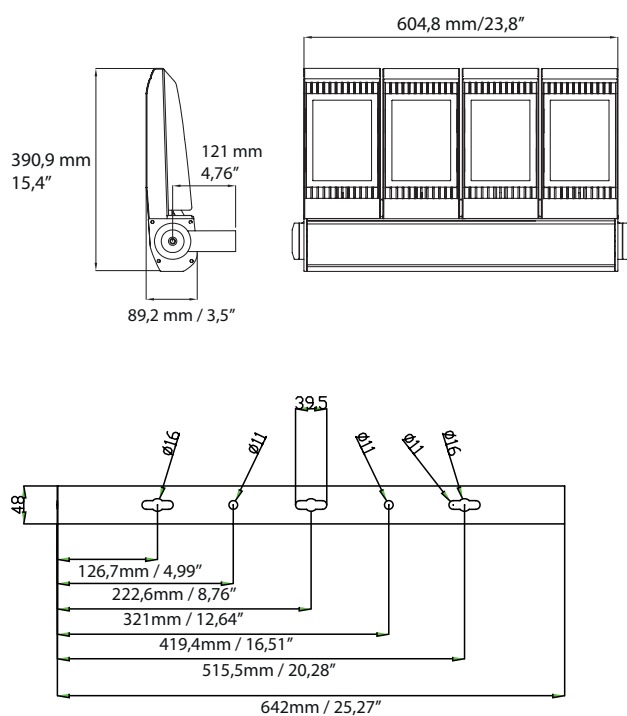


-35°/+45°C

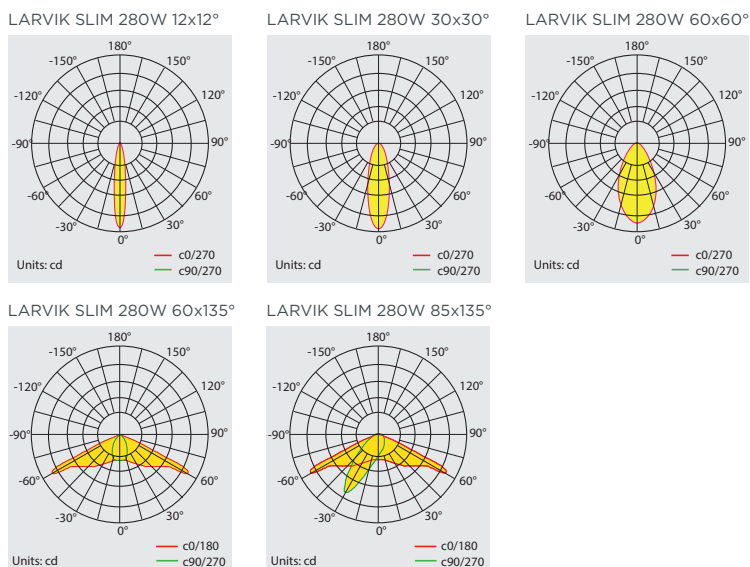
TECHNICAL DATA

Code	Designation	Color Temperature / Wavelength	LED power (W)	System power (W)	Lumen output (lm)	Efficiency (lm/W)	CRI	Beam Angle (°)	Net Weight (Kg/ lb)
-	LARVIK SLIM 280W 12x12 deg 5000K IP67 (AC 90-305V)	○ NW 5000K	280	295	30975	105	>70	12x12	15,5 / 34
-	LARVIK SLIM 280W 30x30 deg 5000K IP67 (AC 90-305V)	○ NW 5000K	252	270	29700	110	>70	30x30	15,5 / 34
21120073	LARVIK SLIM 280W 60x60 deg, 5000K IP67 (AC 90-305V)	○ NW 5000K	252	270	29700	110	>70	60x60	15,5 / 34
-	LARVIK SLIM 280W 60x135 deg 5000K IP67 (A C90-305V)	○ NW 5000K	280	295	30975	105	>70	60x135	15,5 / 34
-	LARVIK SLIM 280W 85x135 deg 5000K IP67 (AC 90-305V)	○ NW 5000K	252	270	29700	110	>70	85x135	15,5 / 34
-	LARVIK SLIM 280W 12x12 deg 3000K IP67 (AC 90-2305V)	○ WW 3000K	280	295	28025	95	>70	12x12	15,5 / 34
-	LARVIK SLIM 280W 30x30 deg 3000K IP67 (AC 90-305V)	○ WW 3000K	252	270	27000	100	>70	30x30	15,5 / 34
-	LARVIK SLIM 280W 60x60 deg 3000K IP67 (AC 90-305V)	○ WW 3000K	252	270	27000	100	>70	60x60	15,5 / 34
-	LARVIK SLIM 280W 60x135 deg 3000K IP67 (AC 90-305V)	○ WW 3000K	280	295	28025	95	>70	60x135	15,5 / 34
-	LARVIK SLIM 280W 85x135 deg 3000K IP67 (AC 90-305V)	○ WW 3000K	252	270	27000	100	>70	85x135	15,5 / 34

DIMENSIONS

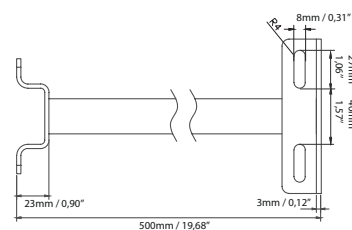
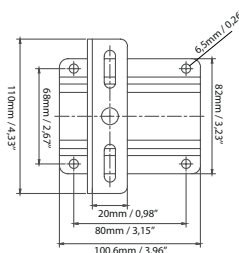


LIGHT DISTRIBUTION



ACCESSORIES

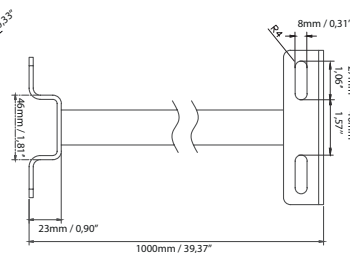
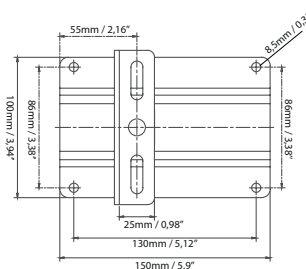
Code	Designation	Maximum weight supported
21760080	LARVIK SLIM BRACKET 500mm with MATTE Black color,vertical version	1,2 kg / 2,65 lb
21760081	LARVIK SLIM BRACKET 1000mm with MATTE Black color,vertical version	1,7 kg / 3,75 lb



21760080



21760081



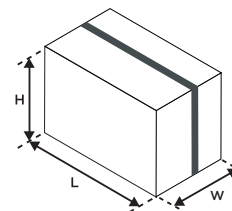
NORMS & CERTIFICATES

- ▶ EN 55015:2018
- ▶ EN 61547:2019
- ▶ EN 61000-3-2:2019
- ▶ EN 61000-3-3:2013+A1:2019
- ▶ EN 60598-2-5:2015
- ▶ EN 60598-1:2015+A1: 2018
- ▶ EN 62471:2008



PACKAGING

Types	SIZE - LxWxH (cm)	SIZE - LxWxH (ft)	Weight (kg)	Weight (lb)	Units (set)
LARVIK SLIM 10W	39 x 36,8 x 23	1,3 x 1,2 x 0,8	10,4	22,9	10
LARVIK SLIM 30W	40,5 x 31,3 x 47,2	1,3 x 1 x 1,6	19	41,9	10
LARVIK SLIM 50W	55 x 39,9 x 43,6	1,8 x 1,3 x 1,4	29,3	64,6	8
LARVIK SLIM 80 & 100W	54,8 x 33 x 43,2	1,8 x 1 x 1,4	20	44	4
LARVIK SLIM 140W	52 x 38,7 x 16,5	1,7 x 1,3 x 0,5	9	19,8	1
LARVIK SLIM 210W	52 x 53,9 x 16,5	1,7 x 1,8 x 0,5	13,9	30,6	1
LARVIK SLIM 280W	52 x 69,1 x 16,5	1,7 x 2,3 x 0,5	17	37,5	1



(When the min and max values are not indicated, the tolerance range for optical and electrical data is ±15 %.)